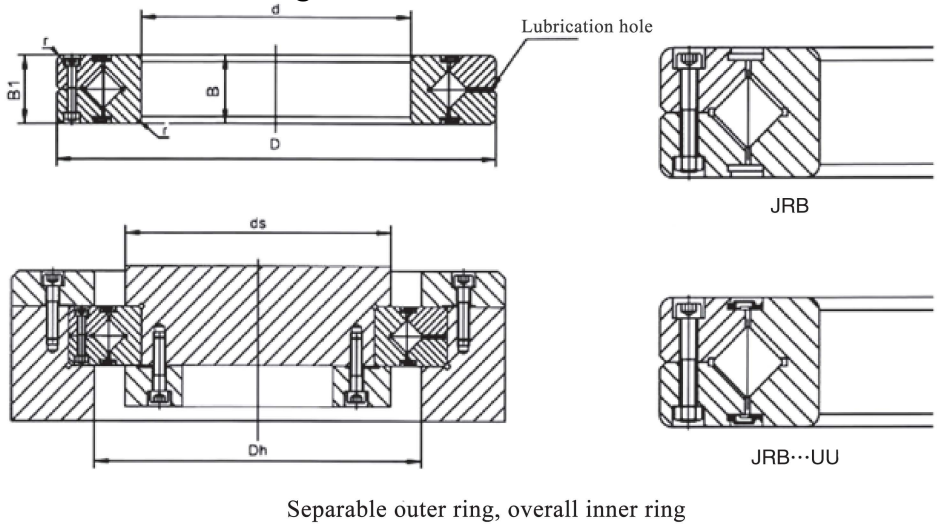


# Jrb-series-crossed-roller-bearing



Separable outer ring, overall inner ring

( Unit ) : mm

Model	Dimensions						Basic rated load ( kN )		Weight Kg	Corresponding model		
	Inner ring	Outer ring	Width	Pitch dimension	Shoulder height		Radial direction			THK	IKO	NSK
	d	D	B	Dpw	ds	Dh	C	Co				
JRB 2008	20	36	8	27	23.5	30.5	3.23	3.1	0.04	RB2008		
JRB 2508	25	41	8	32	28.5	35.5	3.63	3.83	0.05	RB2508		NRXT2508
JRB 3010	30	55	10	41.5	37	47	7.35	8.36	0.12	RB3010	CRB3010	
JRB 3510	35	60	10	46.5	41	51.5	7.64	9.12	0.13	RB3510		
JRB 4010	40	65	10	51.5	47.5	57.5	8.33	10.6	0.16	RB4010	CRB4010	NRXT4010
JRB 4510	45	70	10	56.5	51	61.5	8.62	11.3	0.17	RB4510		
JRB 5013	50	80	13	64	57.4	72	16.7	20.9	0.27	RB5013	CRB5013	NRXT5013
JRB 6013	60	90	13	74	68	82	18	24.3	0.3	RB6013	CRB6013	NRXT6013
JRB 7013	70	100	13	84	78	92	19.4	27.7	0.35	RB7013	CRB7013	NRXT7013
JRB 8013	80	110	13	94	87	101	20.5	32	0.38			NRXT8013
JRB 8016	80	120	16	98	91	111	30.1	42.1	0.7	RB8016	CRB8016	NRXT8016
JRB 9016	90	130	16	108	98	118	31.4	45.3	0.75	RB9016	CRB9016	NRXT9016
JRB 9020	90	140	20	115	107	123	32	49	1.27			NRXT9020
JRB 10016	100	140	16	119.3	109	129	31.7	48.6	0.83	RB10016		
JRB 10020	100	150	20	123	113	133	33.1	50.9	1.45	RB10020	CRB10020	NRXT10020
JRB 11012	110	135	12	121.8	117	127	12.5	24.1	0.4	RB11012		
JRB 11015	110	145	15	126.5	122	136	27.3	41.5	0.75	RB11015		
JRB 11020	110	160	20	133	120	143	34	54	1.56	RB11020	CRB11020	NRXT11020
JRB 12016	120	150	16	134.2	127	141	24.42	43.2	0.72	RB12016		
JRB 12020	120	170	20	145	137	153	36	62	1.6			NRXT12020
JRB 12025	120	180	25	148.7	133	164	66.9	100	2.62	RB12025	CRB12025	NRXT12025
JRB 13015	130	160	15	144.5	137	152	25	46.7	0.72	RB13015		
JRB 13025	130	190	25	158	143	174	69.5	107	2.82	RB13025	CRB13025	NRXT13025
JRB 14016	140	175	16	154.8	147	162	25.9	50.1	1	RB14016		
JRB 14025	140	200	25	168	154	185	74.8	121	2.96	RB14025	CRB14025	NRXT14025
JRB 15013	150	180	13	164	157	172	27	53.5	0.68	RB15013		
JRB 15025	150	210	25	178	164	194	76.8	128	3.16	RB15025	CRB15025	NRXT15025
JRB 15030	150	230	30	188	173	211	100	156	5.3	RB15030	CRB15030	NRXT15030
JRB 16025	160	220	25	188.6	173	204	81.7	135	3.14	RB16025		
JRB 17020	170	220	20	191	184	198	29	62.1	2.21	RB17020		
JRB 18025	180	240	25	210	195	225	84	143	3.44	RB18025		
JRB 19025	190	240	25	211.9	202	222	41.7	82.9	2.99	RB19025		
JRB 20025	200	260	25	230	215	245	84.2	157	4	RB20025	CRB20025	
JRB 20030	200	280	30	240	221	258	114	200	6.7	RB20030	CRB20030	NRXT20030
JRB 20035	200	295	35	247.7	225	270	151	252	9.6	RB20035	CRB20035	
JRB 22025	220	280	25	250.1	235	265	92.3	171	4.1	RB22025		
JRB 24025	240	300	25	269	256	281	68.3	145	4.5	RB24025		
JRB 25025	250	310	25	277.5	265	290	69.3	150	5	RB25025	CRB25025	NRXT25025
JRB 25030	250	330	30	287.5	269	306	126	244	8.1	RB25030	CRB25030	NRXT25030
JRB 25040	250	355	40	300.7	275	326	195	348	14.8	RB25040	CRB25040	
JRB 26035	260	330	35	293	280	305	62	306	8.7			
JRB 30025	300	360	25	328	315	340	76.3	178	5.9	RB30025	CRB30025	NRXT30025
JRB 30035	300	395	35	345	322	368	183	367	13.4	RB30035	CRB30035	NRXT30035
JRB 30040	300	405	40	351.6	326	377	212	409	17.2	RB30040	CRB30040	NRXT30040
JRB 35020	350	400	20	373.4	363	383	54.1	143	3.9	RB35020		
JRB 40035	400	480	35	440.3	422	459	156	370	14.5	RB40035	CRB40035	NRXT40035
JRB 40040	400	510	40	453.4	428	479	241	531	23.5	RB40040	CRB40040	NRXT40040
JRB 40070	400	580	70	481	430	532	470	811	72.4			
JRB 45025	450	500	25	474	464	484	61.7	182	6.6	RB45025		
JRB 50025	500	550	25	524.2	514	534	65.5	201	7.3	RB50025		
JRB 50040	500	600	40	548.8	526	572	239	607	26	RB50040	CRB50040	NRXT50040
JRB 50050	500	625	50	561.6	536	587	267	653	41.7	RB50050	CRB50050	NRXT50050
JRB 50070	500	680	70	581.5	530	633	653	1330	86.1		CRB50070	
JRB 60040	600	700	40	650	627	673	264	721	29	RB60040	CRB60040	NRXT60040
JRB 60070	600	780	70	682	630	734	700	1540	102		CRB60070	
JRB 600120	600	870	120	730	643	817	1490	2800	274		CRB600120	
JRB 70045	700	815	45	753.5	731	777	281	836	46	RB70045	CRB70045	
JRB 70070	700	880	70	782.5	731	834	766	1810	115		CRB70070	
JRB 700150	700	1020	150	852	751	953	1980	3820	478		CRB700150	
JRB 80070	800	950	70	868.1	836	900	468	1330	105	RB80070	CRB80070	
JRB 800100	800	1030	100	906	840	972	1140	2640	247		CRB800100	
JRB 90070	900	1050	70	969	937	1001	494	1490	120	RB90070		
JRB 1000110	1000	1250	110	1114	1057	1171	1220	3220	360	RB1000110		
JRB 1250110	1250	1500	110	1365.5	1308	1423	1350	3970	440	RB1250110		