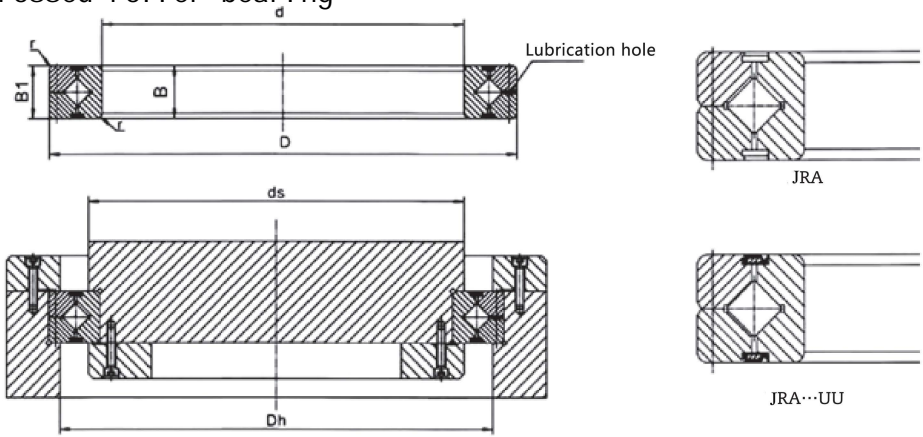


ra-seri es-crossed-roller-bearing



Separable outer ring, Overall inner circle

(Unit) : mm

Model	Dimensions						Basic rated load		Weight	Corresponding model
	Inner ring	Outer ring	Width	Pitch diameter	Shoulder height		Radial			
	d	D	B	Dpw	ds	Dh	C	Co	Kg	THK
JRA 5008	50	66	8	57	53.5	60.5	5.1	7.19	0.08	RA5008
JRA 6008	60	76	8	67	63.5	70.5	5.68	8.68	0.09	RA6008
JRA 7008	70	86	8	77	73.5	80.5	5.98	9.8	0.1	RA7008
JRA 8008	80	96	8	87	83.5	90.5	6.37	11.3	0.11	RA8008
JRA 9008	90	106	8	97	93.5	100.5	6.67	12.4	0.12	RA9008
JRA 10008	100	116	8	107	103.5	110.5	7.15	13.9	0.15	RA10008
JRA 11008	110	126	8	117	113.5	120.5	7.45	15	0.16	RA11008
JRA 12008	120	136	8	127	123.5	130.5	7.84	16.5	0.17	RA12008
JRA 13008	130	146	8	137	133.5	140.5	7.94	17.6	0.18	RA13008
JRA 14008	140	156	8	147	143.5	150.5	8.33	19.1	0.19	RA14008
JRA 15008	150	166	8	157	153.5	160.5	8.82	20.6	0.2	RA15008
JRA 16013	160	186	13	172	165	179	23.3	44.9	0.59	RA16013
JRA 17013	170	196	13	182	175	189	23.5	46.5	0.64	RA17013
JRA 18013	180	206	13	192	185	199	24.5	49.8	0.68	RA18013
JRA 19013	190	216	13	202	195	209	24.9	51.5	0.69	RA19013
JRA 20013	200	226	13	212	205	219	25.8	54.7	0.71	RA20013