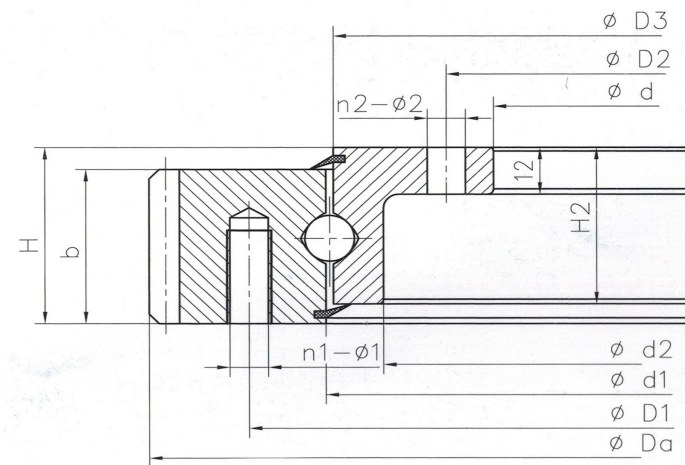
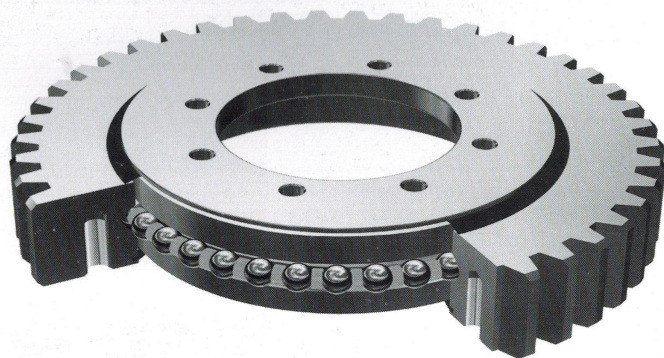
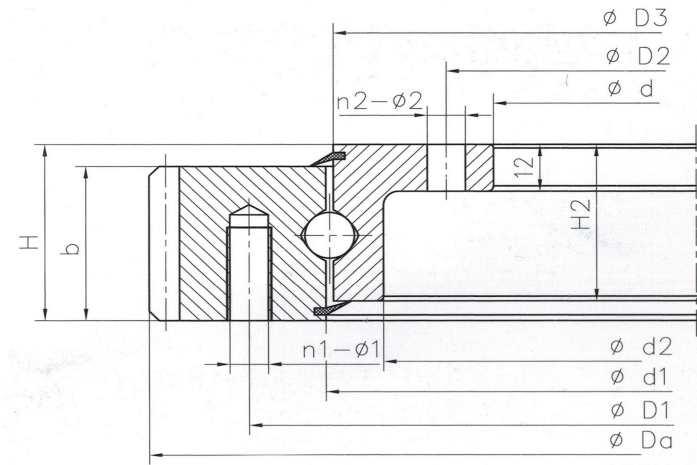
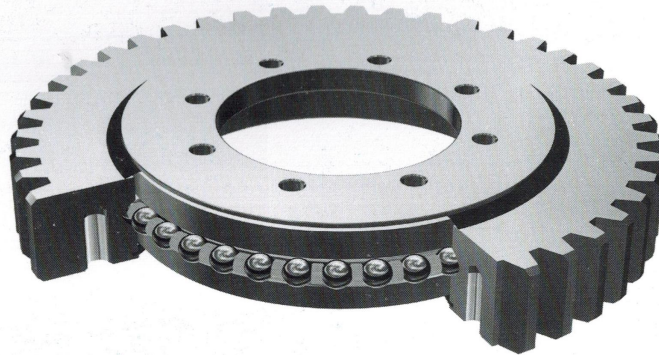


# Flanged Slewing Bearing External Gear



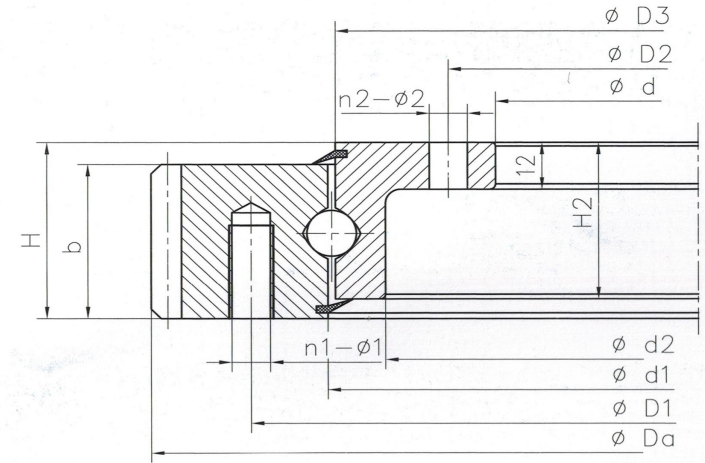
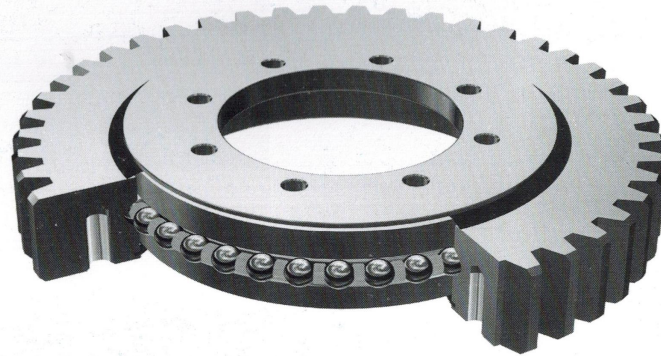
Designation			Dimensions			Mounting Hole Size						Structure dimensions						Basic load coa KN	Weight kg	
INA	Rothe Erde	TG	Da	d	H	D1	D2	n1	n2	Φ1	Φ2	d2	b	h	bh	H2	d1	D3		
VLA200414N ZT			503.3	304	56	455	332	10	12	M12	Φ18	369.5	40	8.5	47.5	44.5	415.5	412.5	600	31.2
VLA200414N			503.3	304	56	455	332	10	12	M12	18		40	11.5	47.5	44.5	415.5	412.5	295	29.5
	231.20.0400.013		504	304	56	455	332	10	12	M12	18		45.5	10.5	45.5	45.5	415.5	412.5	250	29.3
	231.20.0400.503		504	304	56	455	332	10	24	M12	18		45.5	10.5	45.5	45.5	415.5	412.5	250	29
		E.505.20.00.C	504	304	56	455	332	10	12	M12	Φ18	375	46	10	46	46	415.5	412.5	500	33.3
		E.505.20.C	504	304	56	455	332	10	12	M12	Φ18	373	46	10	46	46	415.5	412.5	640	34
	231.21.0475.013		504	305	56	455	332	10	12	M12	18		45.5	10.5	45.5	45.5	417	412.5	250	29.3
VLA200544N ZT			640.3	434	56	585	462	14	14	M12	Φ18	502	44.5	11.5	44.5	44.5	545.5	542.5	670	41.5
VLA200544N ZT			640.3	434	56	585	462	14	14	M12	Φ18	499.5	44.5	8.5	47.5	44.5	545.5	542.5	790	41.6
VLA200544N			640.3	434	56	585	462	14	14	M12	18		44.5	11.5	47.5	44.5	545.5	542.5	385	41.5
	231.20.0500.013		640.8	434	56	585	462	14	14	M12	18		45.5	10.5	45.5	45.5	545.5	542.5	330	39.5
	231.20.0500.503		640.8	434	56	585	462	14	28	M12	18		45.5	10.5	45.5	45.5	545.5	542.5	330	39.2
		E.650.20.C	640.8	434	56	585	462	14	14	M12	Φ18	505	46	10	46	46	545.5	542.5	670	40.6
	231.20.0500.503		640.8	434	56	585	462	14	28	M12	Φ18	505	45.5	10.5	45.5	45.5	545.5	542.5	660	40.6
	231.21.0575.013		640.8	435	56	585	462	14	14	M12	18		45.5	10.5	45.5	45.5	547	542.5	330	39.5
VLA200644N ZT			742.3	534	56	685	562	16	16	M12	Φ18	599.5	44.5	8.5	47.5	44.5	645.5	642.5	900	50
VLA200644N			742.3	534	56	685	562	16	16	M12	18		44.5	11.5	47.5	44.5	645.5	642.5	455	48.5
	231.21.0600.013		742.8	534	56	685	562	16	16	M12	18		45.5	10.5	45.5	45.5	645.5	642.5	390	47.6
	231.21.0600.503		742.8	534	56	635	562	16	32	M12	18		45.5	10.5	45.5	45.5	645.5	642.5	390	47.2
		E.750.20.00.C	742.8	534	56	685	562	16	16	M12	Φ18	605	46	10	46	46	645.5	642.5	780	55.1
	231.21.0675.013		742.8	535	56	685	562	16	16	M12	18		45.5	10.5	45.5	45.5	647	642.5	390	47.6
VLA200744N ZT			838.1	634	56	785	662	18	16	M12	Φ18	699.5	44.5	8.5	47.5	44.5	745.5	742.5	1050	56
VLA200744N			838.1	634	56	785	662	18	16	M12	18		44.5	11.5	47.5	44.5	745.5	742.5	530	54.5
	231.20.0700.013		838.8	634	56	785	662	18	16	M12	18		45.5	10.5	45.5	45.5	745.5	742.5	450	53.5

# Flanged Slewing Bearing External Gear



Designation			Dimensions			Mounting Hole Size						Structure dimensions						Basic load coa KN	Weight kg	
INA	Rothe Erde	TG	Da	d	H	D1	D2	n1	n2	Φ1	Φ2	d2	b	h	bh	H2	d1	D3		
	231.20.0700.503		838.8	634	56	785	662	18	32	M12	18		45.5	10.5	45.5	45.5	745.5	742.5	450	53.1
		E.850.20.00.C	838.8	634	56	785	662	18	16	M12	Φ18	705	46	10	46	46	745.5	742.5	910	60
	231.20.0755.013		838.8	635	56	785	662	18	16	M12	18		45.5	10.5	45.5	45.5	747	742.5	450	53.5
VLA200844N ZT			950.1	734	56	885	762	18	18	M12	Φ18	799.5	44.5	8.5	47.5	44.5	845.5	842.5	1200	66.4
VLA200844N			950.1	734	56	885	762	18	18	M12	18		44.5	11.5	47.5	44.5	845.5	842.5	600	65.5
	231.20.0800.013		950.4	734	56	885	762	18	18	M12	18		45.5	10.5	45.5	45.5	845.5	842.5	510	65.1
	231.20.0800.503		950.4	734	56	885	762	18	36	M12	18		45.5	10.5	45.5	45.5	845.5	842.5	510	64.7
		E.950.20.00.C	950.4	734	56	885	762	18	18	M12	Φ18	805	46	10	46	46	845.5	842.5	1030	72.3
	231.21.0875.013		950.4	735	56	885	762	18	18	M12	18		45.5	10.5	45.5	45.5	847	842.5	510	65.1
VLA300955N			1096	805	90	1016	845	30	30	M20	22		71	19	71	71	953	957	2550	170
	281.30.0900.013		1096.2	805	90	1016	845	30	30	M20	22		71	19	71	71	953.5	956.5	1750	165
	281.30.0900.013		1096.2	805	90	1016	845	30	30	M20	Φ22	893	71	19	71	71	953.5	956.5	2150	144
		E.1100.32.00.C	1098	805	90	1016	845	30	30	M20	Φ22	893	71	19	71	71	955	955	2230	165
	281.30.0975.013		1096.2	807	90	1016	845	30	30	M20	22		71	19	71	71	955	956.5	1750	165
VLA200944N ZT			1046.1	834	56	985	862	20	20	M12	Φ18	899.5	44.5	8.5	47.5	44.5	945.5	942.5	1350	72.4
VLA200944N			1046.1	834	56	985	862	20	20	M12	18		44.5	11.5	47.5	44.5	945.5	942.5	670	71.5
	231.20.0900.013		1046.4	834	56	985	862	20	20	M12	18		45.5	10.5	45.5	45.5	845.5	942.5	570	69.6
	231.20.0900.503		1046.4	834	56	985	862	20	40	M12	18		45.5	10.5	45.5	45.5	845.5	942.5	570	69.6
		E.1050.20.00.C	1046.4	834	56	985	862	20	20	M12	Φ18	905	46	10	46	46	945.5	942.5	440	82.3
	231.21.0975.013		1046.4	835	56	985	862	20	20	M12	18		45.5	10.5	45.5	45.5	947	942.5	570	69.6
	281.30.1000.013		1198	905	90	1116	945	30	30	M20	22		71	19	71	71	1053.5	1056.5	1840	183
VLA 301055N			1198	905	90	1116	945	30	30	M20	22		71	19	71	71	1053	1057	2800	183
		E.1200.32.00.C	1200	905	90	1116	945	30	30	M20	Φ22	993	71	19	71	71	1055	1055	2500	183
	281.30.1075.013		1198	907	90	1116	945	30	30	M20	22		71	19	71	71	1055	1056.5	1840	183

# Flanged Slewing Bearing External Gear



Designation			Dimensions			Mounting Hole Size						Structure dimensions						Basic load coa KN	Weight kg	
INA	Rothe Erde	TG	Da	d	H	D1	D2	n1	n2	Φ1	Φ2	d2	b	h	bh	H2	d1	D3		
VLA201094NZT			1198.1	984	56	1135	1012	22	20	M12	Φ18	1049.5	44.5	8.5	47.5	44.5	1095.5	1092.5	2000	86
VLA201094N			1198.1	984	56	1035	1012	22	20	M12	18		44.5	11.5	47.5	44.5	1095.5	1092.5	770	83.5
	231.20.1000.013		1198.4	984	56	1135	1012	22	20	M12	18		45.5	10.5	45.5	45.5	1095.5	1092.5	665	83
	231.20.1000.503		1198.4	984	56	1135	1012	22	40	M12	18		45.5	10.5	45.5	45.5	1095.5	1092.5	665	82.5
		E.1200.20.00.C	1198.4	984	56	1135	1012	22	20	M12	Φ18	1055	46	10	46	46	1095.5	1092.5	1700	99
	231.21.1075.013		1198.4	985	56	1135	1012	22	20	M12	18		45.5	10.5	45.5	45.5	1097	1092.5	665	83
	281.30.1100.013		1298	1005	90	1216	1045	36	36	M20	22		71	19	71	71	1153.5	1156.5	1900	200
VLA301155N			1298	1005	90	1216	1045	36	36	M20	22		71	19	71	71	1153	1157	3100	206
		E.1300.32.00.C	1300	1005	90	1216	1045	36	36	M20	Φ22	1093	71	19	71	71	1155	1155	2700	200
	281.30.1175.013		1298	1007	90	1216	1045	36	36	M20	22		71	19	71	71	1155	1156.5	1900	200
	281.30.1200.013		1398	1105	90	1316	1145	42	42	M20	22		71	19	71	71	1253.5	1256.5	1950	216
VLA301255N			1398	1105	90	1316	1145	42	42	M20	22		71	19	71	71	1253	1257	3350	223
		E.1400.32.00.C	1400	1105	90	1316	1145	42	42	M20	Φ22	1193	71	19	71	71	1255	1255	3000	216
	281.30.1275.013		1398	1107	90	1316	1145	42	42	M20	22		71	19	71	71	1255	1256.5	1950	216
	281.30.1300.013		1498	1205	90	1416	1245	42	42	M20	22		71	19	71	71	1353.5	1356.5	2000	234
VLA301355N			1498	1205	90	1416	1245	42	42	M20	22		71	19	71	71	1353	1357	3600	241
		E.1500.32.00.C	1500	1205	90	1416	1245	42	42	M20	Φ22	1293	71	19	71	71	1355	1355	3220	234
	281.30.1375.013		1498	1207	90	1416	1245	42	42	M20	22		71	19	71	71	1355	1356.5	2000	234
	281.30.1400.013		1598	1305	90	1516	1345	48	48	M20	22		71	19	71	71	1453.5	1456.5	2050	250
	281.30.1400.013		1598	1305	90	1516	1345	48	48	M20	Φ22	1393	71	19	71	71	1453.5	1456.5	3261	252
VLA 301455N			1598	1305	90	1516	1345	48	48	M20	22		71	19	71	71	1453	1457	4000	258
		E.1600.32.00.C	1600	1305	90	1516	1345	48	48	M20	Φ22	1393	71	19	71	71	1455	1455	3350	250
	281.30.1475.013		1598	1307	90	1516	1345	48	48	M20	22		71	19	71	71	1455	1456.5	2050	250