

crossed-tapered-roller-bearing

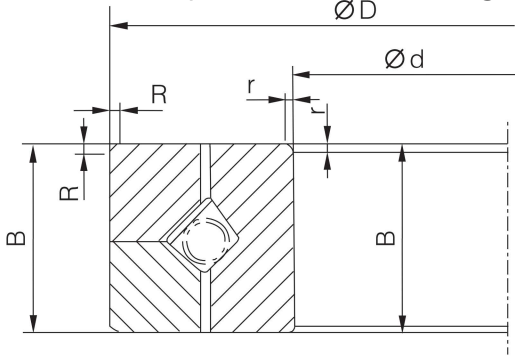


Figure 1

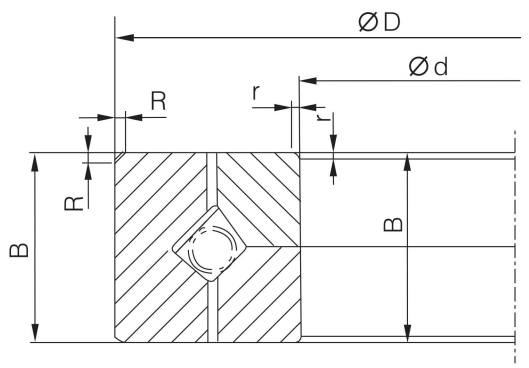


Figure 2

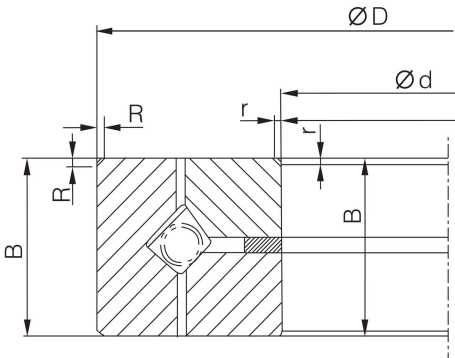


Figure 3

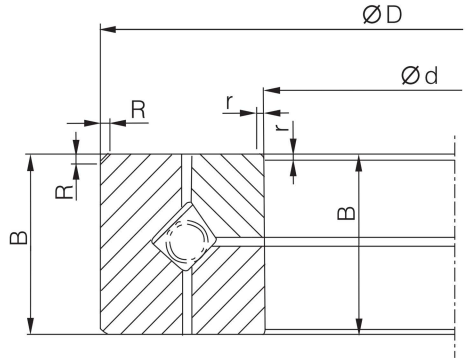


Figure 4

Model	Figure	Dimension				Radial Rated load(kN)		Axial Rated load(kN)		Limit speed r/min	Corresponding model				Kg
		d	D	B	r	动	静	动	静		Timken	SKF	NACHI	URB	
XRT060-NT	4	150	230	30	1	95.2	156	111	279	1100		BFKB353243/HA4	150XRN23		4.9
XRT063-NT	4	160	240	30	1.1	96.8	162	118	300	1000		BFKB353240/HA4			5.15
XRT079-NT	4	200	280	30	1.5	102	175	120	320	900			200XRN28		6.7
XRT080-NT	4	203.2	279.4	31.75	1.5	110	188	134	348	850	XR496051	616093A			5.59
XRT080-W	1	203.2	279.4	31.75	1.5	110	188	134	348	850	XR496052				5.59
XRT094-NT	4	240	300	30	1	88	184	114	361	750		BFKB353203/HA4			5.4
XRT098-NT	4	250	310	25	1	88	188	114	361	700		BFKB353212/HA4			4.5
XRT099-NT	4	250	350	40	1.3	187	355	228	657	670		BFKB353215/HA4	250XRN35		13
XRT110-NTL	4	300	400	36.492	1.5	183	355	223	657	560	JXR637050				12.5
XRT110-NT	4	300	400	38	1.5	183	355	223	657	560	XR635070	616094A	300XRN40		12.5
XRT110-NF	3	300	480	60	1.5	258	495	305	920	600	JXR678054				38
XRT120-NT	4	310	425	45	2.5	216	427	281	837	640	JXR652050	BFKB634097			19.5
XRT130-NT	4	330.2	457.2	63.5	3.3	264	515	312	954	620	XR678052	615661A			32
XRT138-NT	4	350	470	50	3.3	308	635	376	1180	560		BFKB353216/HA4	350XRN47		27
XRT140-NT	4	370	495	50	3.3	93.6		119		600	JXR699050				30
XRT157-NT	4	400	480	40	1.1	216	497	281	957	430		BFKB353224/HA4			15
XRT158-NT	4	400	550	60	2.5	429	920	523	1700	400		BFKB353219/HA4	400XRN55		46.5
XRT170-W	1	432.03	571.5	38.1	3.3	435	910	530	1600	400	XR736052				27.5
XRT180-NT	4	457.2	609.6	63.5	3.3	396	856	514	1680	420	XR766051	615894A	0457XRN060	XD.10.0457P5	51
XRT160-NT	4	424.95	614.924	65		470	960	600	1720	380	XR766052				62
XRT220-NT	4	580	760	80	3.3	627	1380	765	2560	300	XR820060	615662A	580XRN76	XD.10.0580P5	100
XRT220-W	1	580	760	80	6.4	627	1380	765	2560	300	XR820061				100
XRT230-NF	4	600	830	80	6.4	680	1460	820	2870	300	XR836050		600XRN83		148
XRT270-N	2	685.8	914.4	79.375	6.4	693	1660	900	3250	260	XRA844050				150
XRT270-NT	4	685.8	914.4	79.375	3.3	693	1660	900	3250	260	XR855053	615659A	0685XRN091	XD.10.0686P5	150
XRT270-W	1	685.8	914.4	79.375		693	1660	900	3250	260	XR855056				150
XRT350-W	1	901.7	1117.6	82.555	3.3	781	2060	1060	4290	200	XR882054				185
XRT350-NT	4	901.7	1117.6	82.555	3.3	781	2060	1060	4290	200	XR882055	615895A	0901XRN112	XD.10.0902P5	185
XRT370-N	2	939.8	1117.6	82.55	3	920	2580	1200	5000	200	XR882058				158
XRT374-NF	4	950	1170	85	3.3	968	2690	1310	5600	215		BFKB353251/HA4			215
XRT400-NT	4	1028.7	1327.15	114.3	3.3	1230	3310	1600	6490	430	XR889058	BFKB353282/HA4	1028XRN132	XD.10.1029P5	430
XRT400-WL	1	1028.7	1327.15	95.25	3.3	1060	3100	1420	6020	450	XR889059				358
XRT400-NF	3	1028.7	1327.15	114.3	3.3	1230	3310	1600	6490	430	XR889060				430
XRT500-NT	4	1270	1524	95.25	1.8	1300	3830	1760	2980	95		615897A			350
XRT610-NT	4	1549.4	1828.8	101.6	3.3	1400	4510	1890	9400	80	XR897051	615898A		XD.10.1549P5	500
XRT740-NT	4	1879.6	2197.1	101.6	5.4	1510	5240	2040	10900	43	XR903054	615899A		XD.10.1880P5	675
XRT1040-NT	4	2463.8	2819.4	114.3	5.4	2330	8740	3150	18200	19	XR902050	634078A			1130