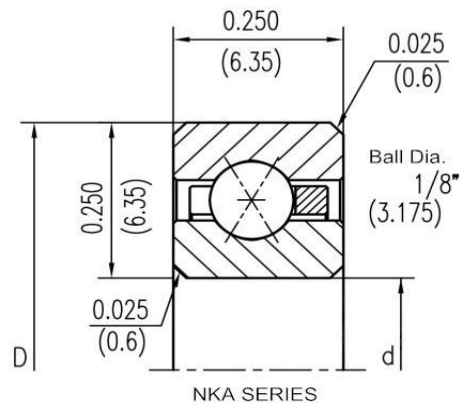


Thin-section-ball-bearing



Model	Dimension(mm)			Load(N)				Weight
	d	D	H	Cor	Cr	Coa	Ca	Kg
NKA020XP0	50.800	63.500	6.35	1650	1420	7600	3510	0.048
NKA025XP0	63.500	76.200	6.35	3690	1600	9290	4050	0.059
NKA030XP0	76.200	88.900	6.35	4400	1820	10980	4490	0.068
NKA035XP0	88.900	101.600	6.35	5070	2000	12670	4930	0.082
NKA040XP0	101.600	114.300	6.35	5730	2130	14310	5380	0.090
NKA042XP0	107.950	120.650	6.35	6090	2220	15160	5600	0.095
NKA045XP0	114.300	127.000	6.35	6400	2310	16000	5820	0.100
NKA047XP0	120.650	133.350	6.35	6760	2400	16850	6000	0.104
NKA050XP0	127.000	139.700	6.35	7070	2490	17690	6220	0.109
NKA055XP0	139.700	152.400	6.35	7780	2620	19380	6580	0.118
NKA060XP0	152.400	165.100	6.35	8450	2800	21070	6980	0.130
NKA065XP0	165.100	177.800	6.35	9110	2930	22760	7330	0.140
NKA070XP0	177.800	190.500	6.35	9780	3070	24450	7690	0.150
NKA075XP0	190.500	203.200	6.35	10450	3200	26140	8050	0.160
NKA080XP0	203.200	215.900	6.35	11110	3330	27830	8400	0.172
NKA090XP0	228.600	241.300	6.35	12490	3600	31200	9070	0.200
NKA100XP0	254.000	266.700	6.35	13820	3870	34580	9690	0.227
NKA110XP0	279.400	292.100	6.35	15160	4130	37960	10310	0.236
NKA120XP0	304.800	317.500	6.35	16540	4360	41340	10890	0.254