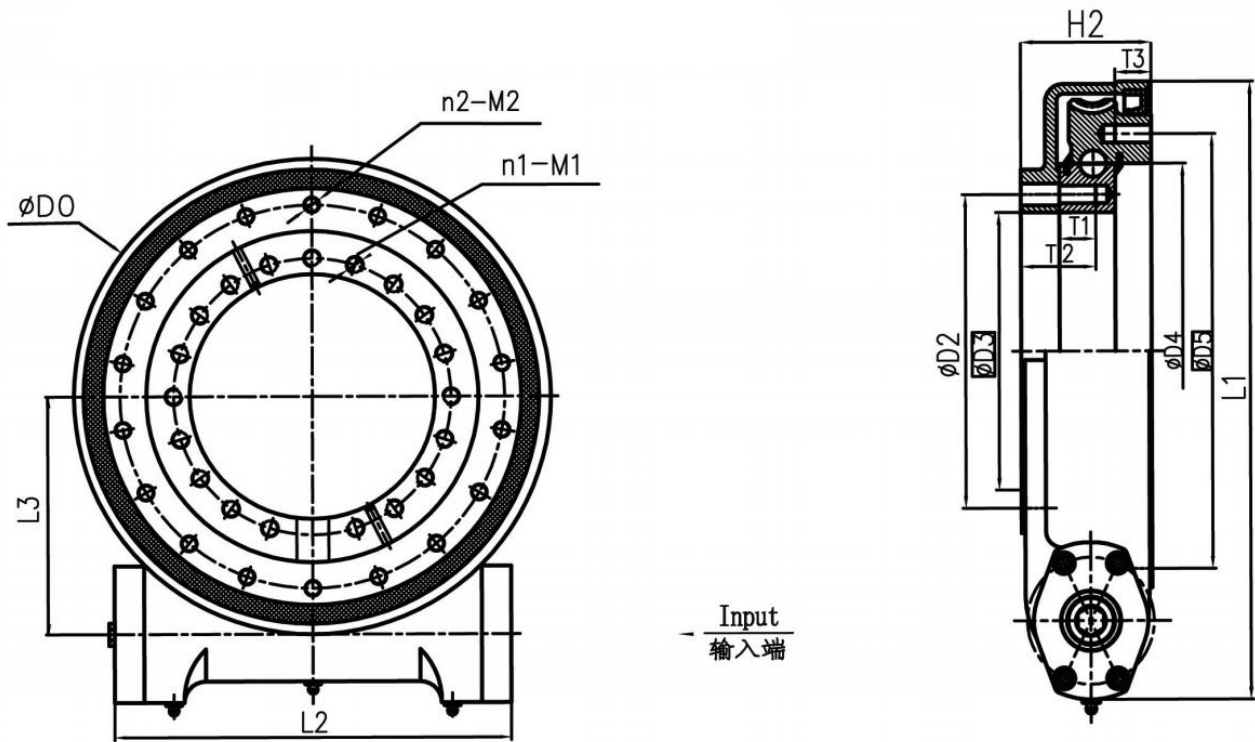


slew drives

WEA Series



Model	External Dimensions				Installation Dimensions					Mounting Holes Date						
	L1	L2	L3	H1	D0	D2	D3	D4	D5	n1	M1	T1	T2	n2	M2	T3
	mm										Inner Ring			Outer Ring		
WEA9	424	330	180	108	360	175	146	2225	270	15	M16	30	62	16	M16	30
WEA12	509	370	222.5	108	445	259	229	310	358	19	M16	30	62	18	M16	30
WEA14	544	380	240	108	480	295	265	342	390	23	M16	30	56	18	M16	30
WEA17	634	405	285	108	570	365.1	332	430	479.4	20	M16	32	62	20	M16	32
WEA21	762	483	350	130	693	466.7	425	540	584.2	35	M20	40	70	36	M20	40
WE A 25	861	513	399	130	793	565	525	630	675	35	M20	40	70	36	M20	40

Model	Rated Output Torque (KN.m)	Tilting Moment Torque (KN.m)	Static Axial Load (KN)	Static Radial Load (KN)	Dynamic Axial Load (KN)	Dynamic Radial Load (KN)	Holding Torque (KN.m)	Gear Ratio	Output Speed (rpm)	Slef-locking Gears	Weight (KG)
WEA9	8	33.9	550	205	130	110	38.7	62:1	<3	Yes	53
WEA12	9.5	54.3	725	270	180	140	43	79:1	<3	Yes	66.8
WEA14	10.8	67.8	920	343	220	190	48	86:1	<3	Yes	75
WEA17	12.96	135.6	1110	414	268	220	72.3	104:1	<2	Yes	96
WEA21	28.7	203	1595	596	340	270	105.8	90:1	<1.5	Yes	172
WEA25	34.2	310	1850	690	440	320	158.3	104:1	<1.5	Yes	202