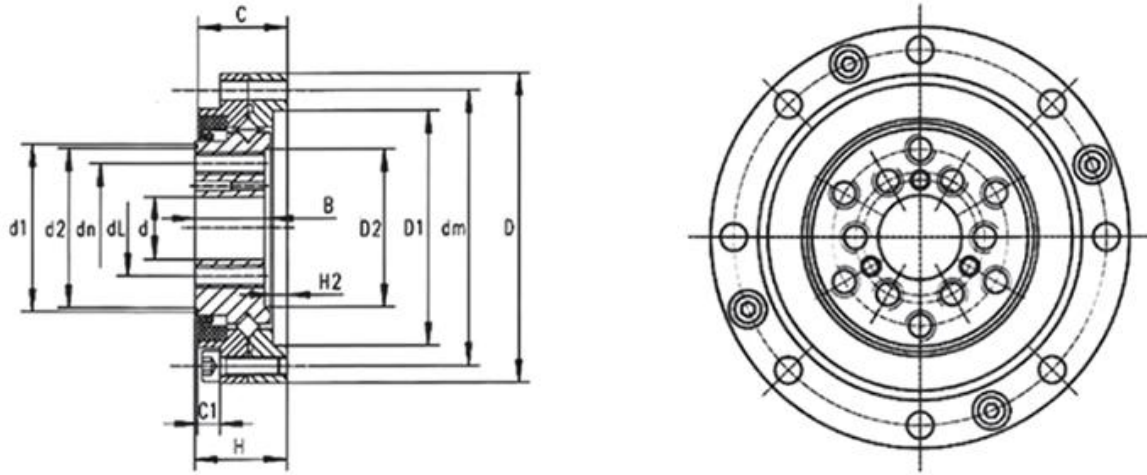


harmonic drive bearing

CSF/CSG Series



Bearing Type	External Dimension										Reducer Model
	d	D	H	C	B	H2	D1	D2	d1	d2	
	mm										
XRB14-55-CSF	11 (9)	55	16.5	16	13.5	2.5	41.8	28	29.8	28.4	CSG/CSF-14
XRB17-62-CSF	10	62	16.5	16	13.5	2.5	49	34	36	33.8	CSG/CSF-17
XRB20-70-CSF	14	70	16.5	16	13.5	2.5	56.5	40	43	40.2	CSG/CSF-20
XRB25-85-CSF	20	85	18.5	18	16.5	2	67	51	55.3	52.6	CSG/CSF-25
XRB32-112-CSF	26	112	22.5	21.5	19	3	90	64	74	68.6	CSG/CSF-32
XRB40-126-CSF	32(24)	126	24	22.5	21.5	2.5	105	86	86	81.2	CSG/CSF-40
XRB50-157-CSF	40(32)	157	31	30	28	3	131.6	98	108	102.6	CSG/CSF-50
XRB65-210-CSF	52(44)	210	39	37	35	4	176	130	138	132.6	CSG/CSF-65

Bearing type	Outer ring mounting hole		Inner ring mounting hole		Inner ring mounting hole		Rated load		Kg	Weight
	Center diameter dm	Hole size	Center diameter dn	Hole size	Center diameter dL	Hole size	Cr	Cor		
							kN	kN		
XRB14-55-CSF	49	8-Φ3.5	23	6-M4	17 (14.5)	6-M4 (M3)	7	9.1	0.15	CSG/CSF-14
XRB17-62-CSF	56	10-Φ3.5	27	6-M5	19	6-M5	7.6	10.7	0.24	CSG/CSF-17
XRB20-70-CSF	64	12-Φ3.5	32	8-M6	24	8-M5	8.5	13.4	0.2	CSG/CSF-20
XRB25-85-CSF	79	16-Φ3.5	42	8-M8	30	8-M6	13.8	21.6	0.45	CSG/CSF-25
XRB32-112-CSF	104	16-Φ4.5	55	8-M10	40	8-M10	12.5	35.6	0.9	CSG/CSF-32
XRB40-126-CSF	117	20-Φ5	68	8-M10	50	8-M10	17.6	33.9	2.8	CSG/CSF-40
XRB50-157-CSF	147	16-Φ5.5	84	8-M14	60	8-M14	49.5	85	4.6	CSG/CSF-50
XRB65-210-CSF	198	20-Φ6.5	110	8-M16	80	8-M16	74.6	133	9.6	CSG/CSF-65